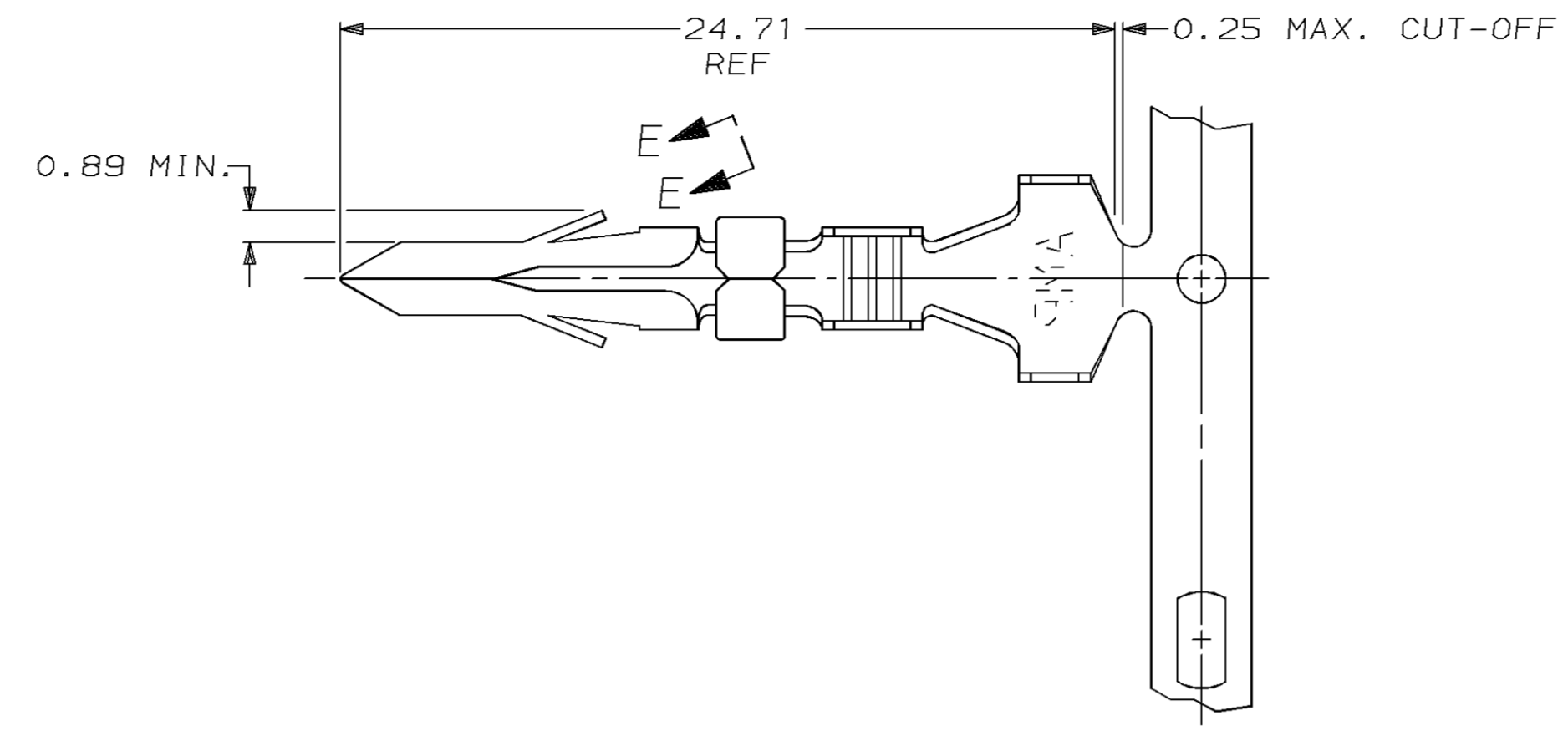
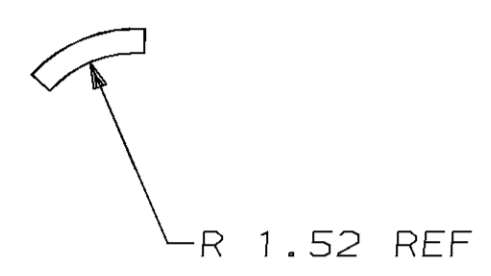


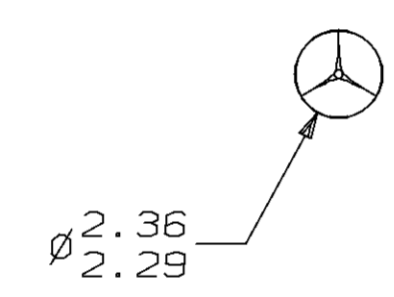
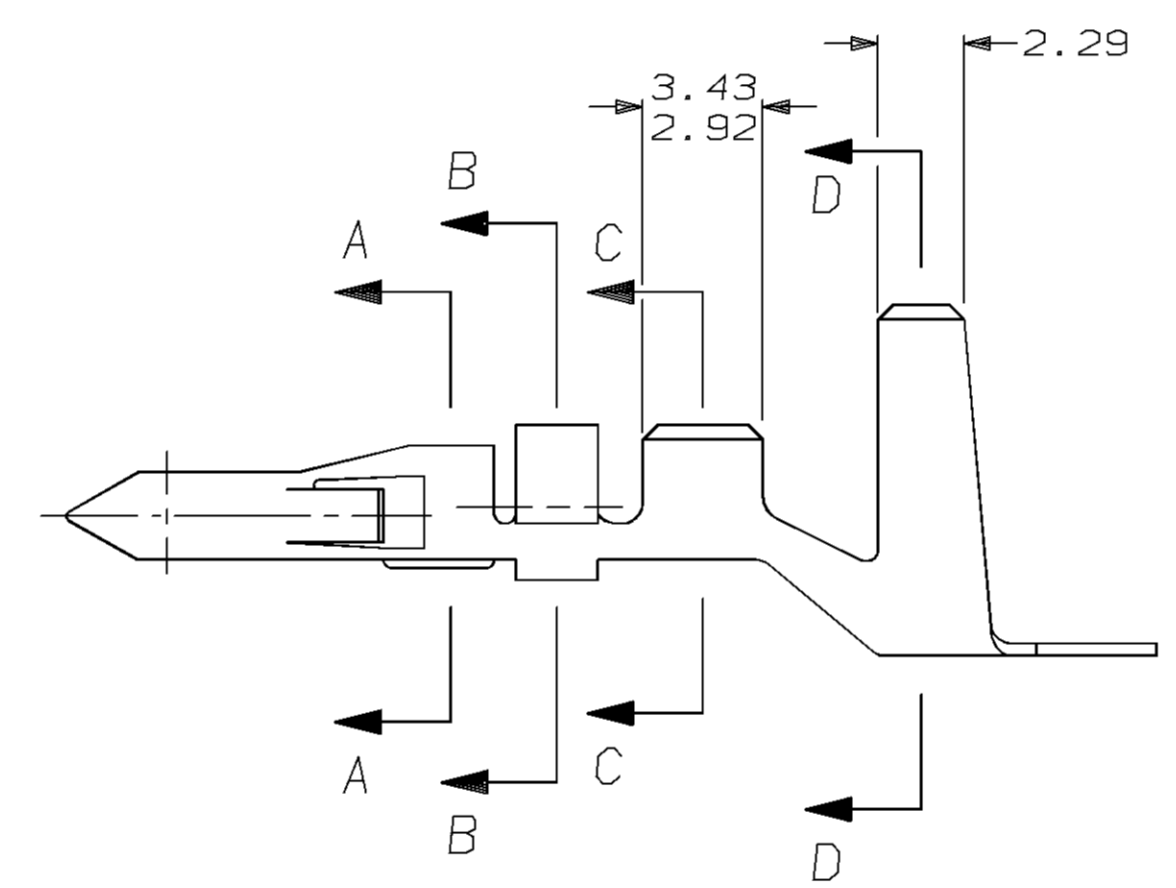
LOC		DIST		ZONE		LTR		REVISIONS		DATE	APPD
CM	53	P	F					L	REV PER EC 0730-0159-94	8-9-94	RV



- INSULATION RANGE- (2) 4.57 MAX.
WIRE RANGE- 18-14 AWG.
- THIS CONTACT TO BE USED WITH HOUSINGS
770364-1, 770365-1, 770450-1,
770451-1, 770452-1 AND 770453-1 ONLY.

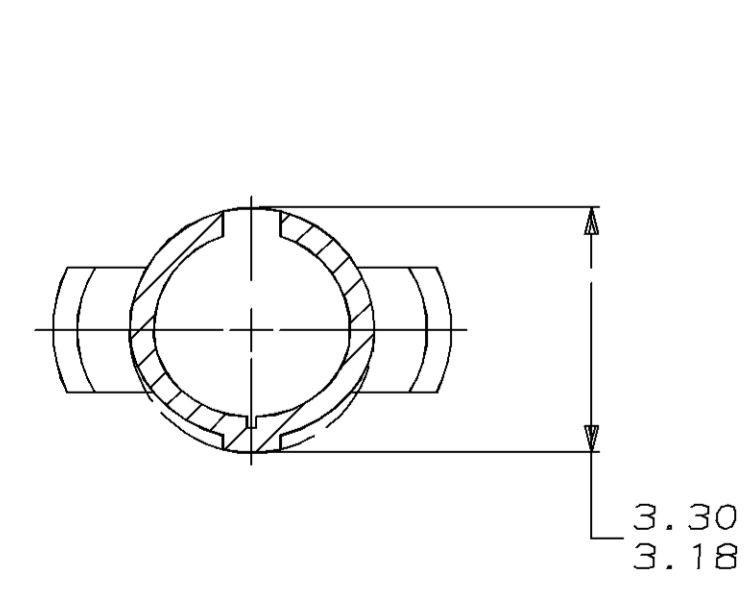


VIEW E-E
SCALE 10:1

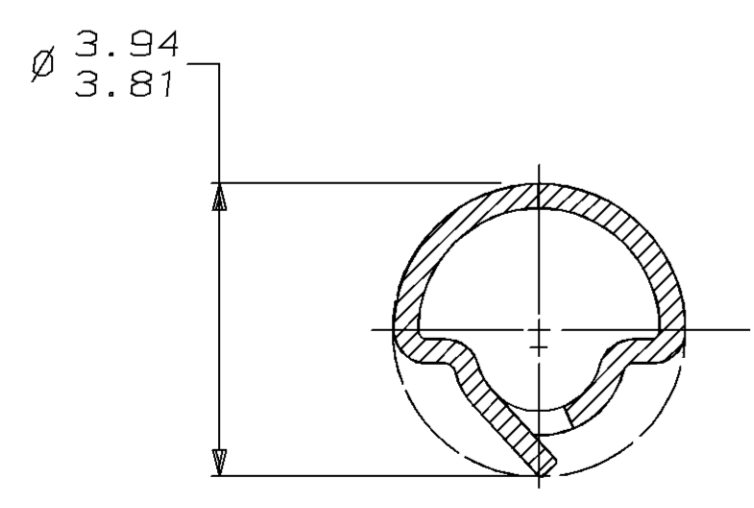


IN	MM	IN	MM
.973	24.71	.125	3.18
.365	9.27	.120	3.05
.265	6.73	.115	2.92
.250	6.35	.093	2.36
.180	4.57	.090	2.29
.155	3.94	.060	1.52
.150	3.81	.035	0.89
.140	3.56	.0126	0.320
.135	3.43	.010	0.25
.130	3.30	.005	0.13
IN	MM	IN	MM

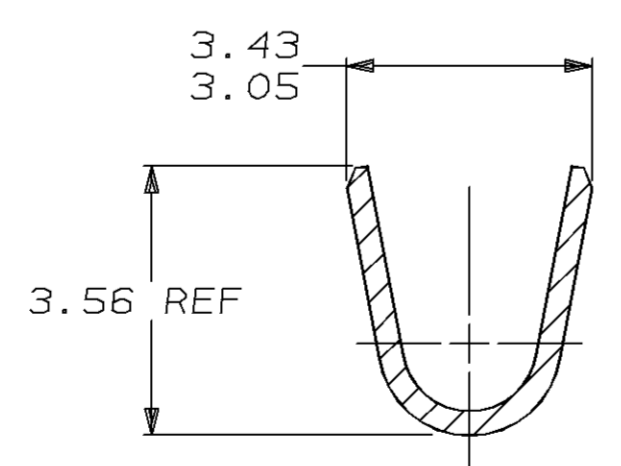
CONVERSION TABLE



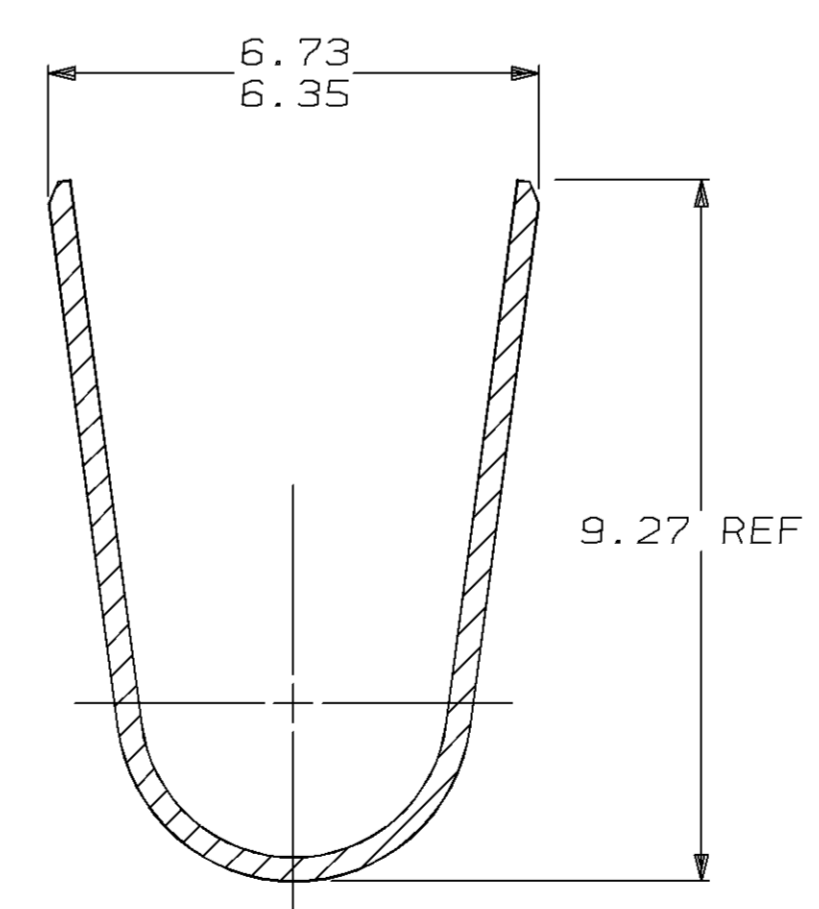
SECTION A-A
SCALE 10:1



SECTION B-B
SCALE 10:1



SECTION C-C
SCALE 10:1



SECTION D-D
SCALE 10:1

770385-1
PART NUMBER

DO NOT SCALE PRINT. UNLESS SPECIFIED DIMENSIONS IN INCHES TOLERANCES ON: 2 PLC DEC ± 0.13 3 PLC DEC ± - ANGLES ± -		DR 1-23-90 C. MARTIN	AMP INCORPORATED Harrisburg, Pa. 17105	
MATERIAL 0.320 BRASS		CHK 1-24-90 R. SWING		
FINISH PRE-TIN		APPD 1-25-90 R. CARSON	NAME .093 PIN, COMMERCIAL PIN AND SOCKET	
WEIGHT		APPD 1-25-90 R. CARSON	SIZE D	FSCM NO 00779
		APPLICATION SPEC	SCALE 5:1	DRAWING NO 770385
			SHEET 1 OF 1	

METRIC